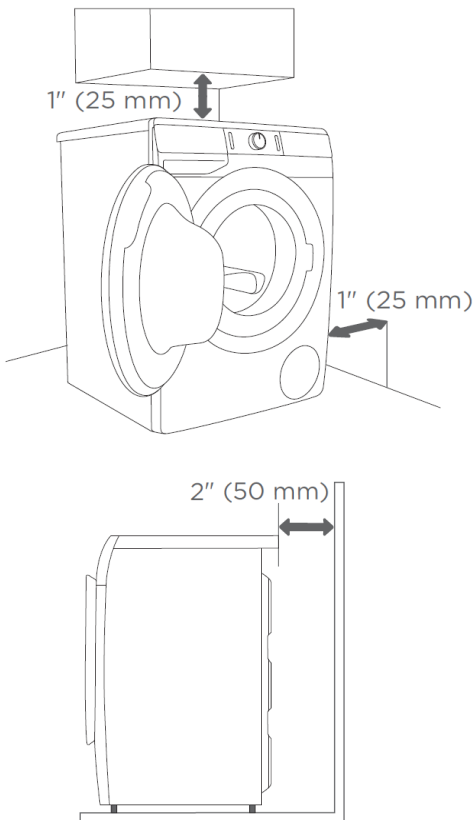




Dimensions & Installation



MODEL	WASHER TYPE	SIZE	COLOUR
LUWM81400	FRONT LOAD	24"	WHITE

FEATURES	
Capacity cu. ft.	2.3
Drum Material	Stainless Steel
Load Capacity lbs/kg	8 kg / 17.6 lbs
Controls	Electronic
Number of Programs	16 Programs: Auto Wash, Allergy Care, Heavy Duty x 4 Settings (Extra Hot, Hot, Warm & Cold) Cotton x 4 Settings (Extra Hot, Hot, Warm & Cold), Mixed, Down Wear, Active Wear, Spin + Drain, Rinse, Sanitize Tub
Auxiliary Functions	EcoCare, TimeCare, Water+, Prewash & Spin
RPM	1400
Motor	Brushless
Time Delay	Yes
Child Lock	Yes
Adjustable Feet	Yes
TECHNICAL	
Energy Star Qualified	Yes
Energy consumption, kWh/year	100
RoHS compliant	Yes
Height	33½" (850 mm)
Width	23½" (600 mm)
Depth	24" (610 mm) - Machine Depth / 25½" (640 mm) - Door Closed / 44½" (1125 mm) - Door Open
Weight	78 kg / 172.8 lbs
Electrical connection:	Power Plug (Plugs into dryer)
Electric current supply	220-240 V / 60 Hz