



| MODEL | TUB | SIZE | COLOUR |
|------------|----------|------|-----------------|
| LUDWT30155 | TALL TUB | 24" | STAINLESS STEEL |

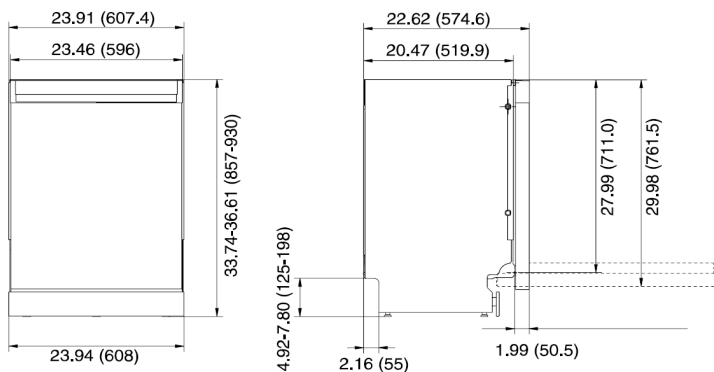
FEATURES

| | |
|---------------------|---|
| Control Type | Top, Electronic |
| Load Capacity | 10 Place Settings |
| Tub Material | Stainless Steel |
| Decibel | 46 dBA |
| Number Racks | 2 (Upper Adjustable Rack & Lower Rack) + Cutlery Basket |
| Spray Arms | 2 (Top & Bottom) |
| Number of Programs | 5 (Auto Wash, Pots+Pans, Normal Wash, Quick Wash, Rinse+Hold) + |
| Automatic Door Open | Yes |

TECHNICAL

| | |
|------------------------------|---------------------------|
| Energy Star Qualified | Yes |
| Energy consumption, kWh/year | 199 |
| Height | 33.74-36.61" (857-930 mm) |
| Width | 23.94" (608 mm) |
| Depth | 22.62" (574.6 mm) |
| Weight | 80 lb (36 kg) |
| Electrical connection: | Power Plug |
| Electric current supply | 120V 60Hz |

Dimensions & Installation



The electrical and water supplies should enter through the area indicated by the shading on the illustration.

